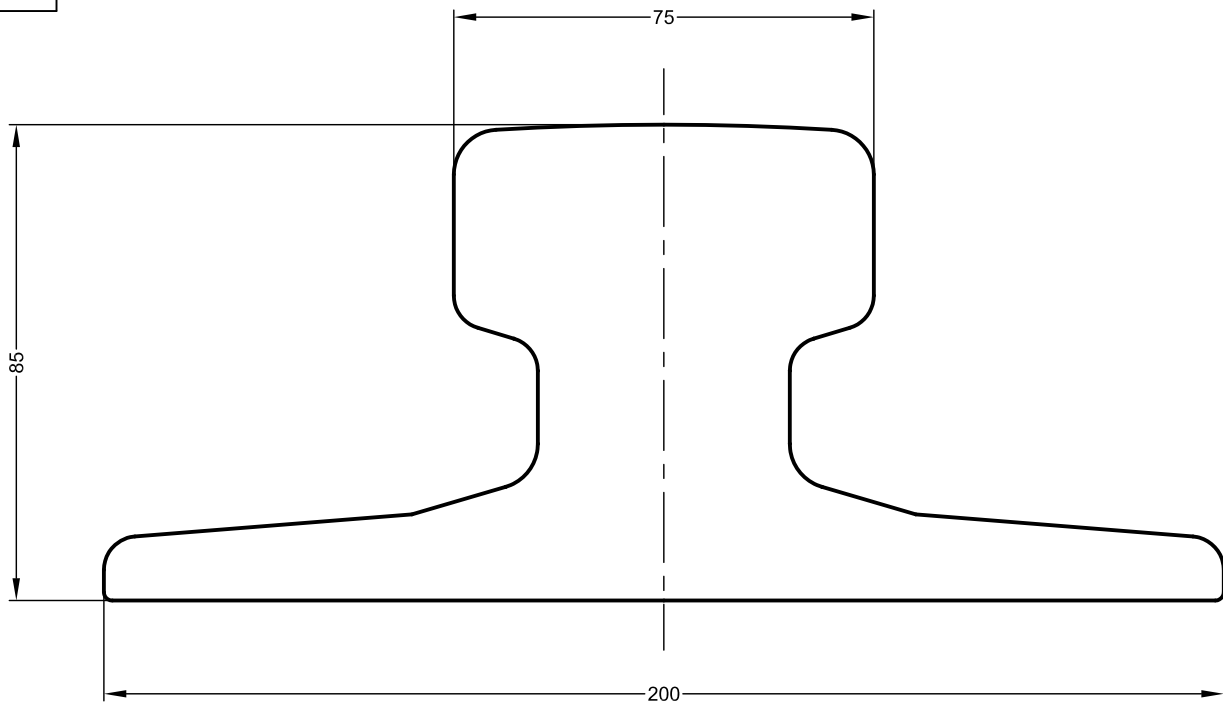
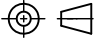


THIRD ANGLE PROJECTION



GANTRAIL[®]

Rail Mounting Systems

THE TECHNICAL DATA CONTAINED IN THIS DRAWING IS THE PROPERTY OF GANTRY RAILING LIMITED AND IS SUBJECT TO COPYRIGHT ©

Gantry Railing Limited
 SUDMEADOW ROAD, HEMPSTED
 GLOUCESTER GL2 5HG, ENGLAND
 Tel: (01452)300688 Fax: (01452)300198
 International Dialling # 44.1452
<http://www.gantry.co.uk>
 E-Mail: Info@gantry.co.uk

Rail Designation	A75	Edition	A
Rail Origin	GERMANY	Date	29/10/02
Standard	DIN 536	Scale	1:1 @ A4
Area of section	7177 mm ²	FOR GUIDANCE ONLY THIS INFORMATION HAS BEEN PROVIDED IN GOOD FAITH BUT SPECIFICATIONS DO CHANGE	
Calculated Mass	56.2 kg/m		
Neutral Axis to base	34.8 mm		
Moment of Inertia	I _{xx} 536 cm ⁴ I _{yy} 1010 cm ⁴		